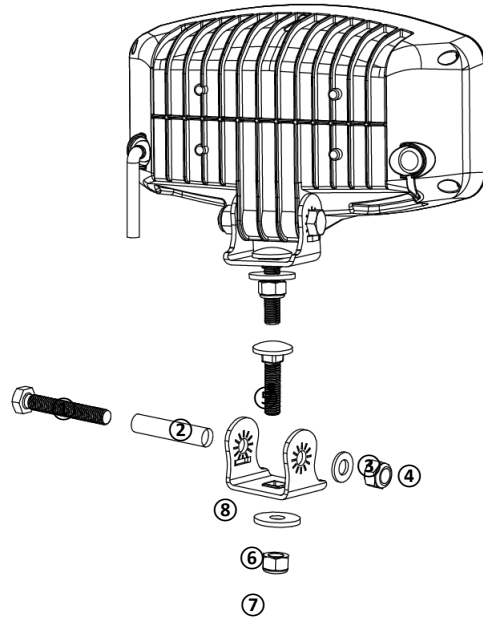


Installation manual

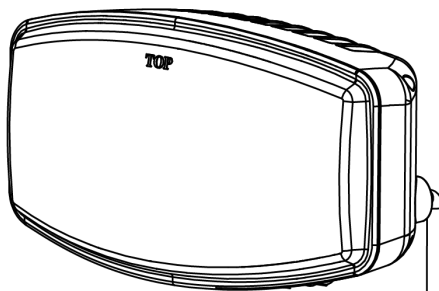
I. Bracket assembly



Parts list		
	Part	Qty
①	Hex. bolt	1
②	Casing pipe	1
③	Washer	1
④	Lock nut	1
⑤	Bolt M10x50	1
⑥	Bottom Washer	1
⑦	Bottom Lock nut	1
⑧	Bottom bracket	1

II. Wiring diagram.

2.1. Wiring definition



⚡ WARNING
Voltage input to this LED driving light must be 10~30VDC.

⚠ CAUTION
Make sure strobe function is configured according to customer orders, or not. If not, strobe/synchronizing will not perform.

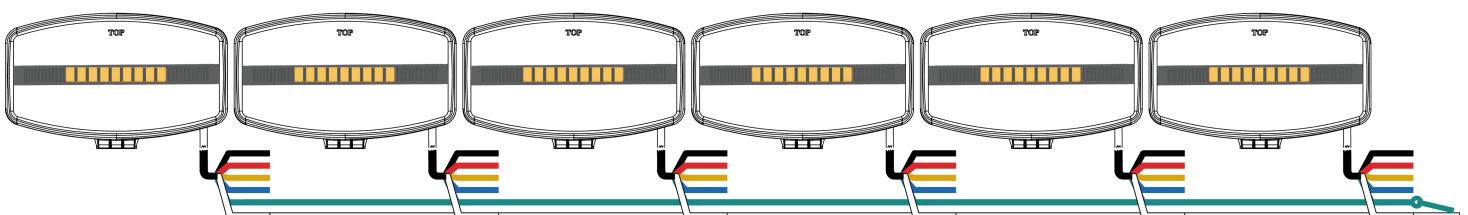
⚠ NOTE
Synchronization of strobes need to be activated before operation; only strobes of the same firmware version could be synchronized.

⚡ WARNING
White cable (synchronizing cable) should never touch, nor contact Black cable (Negative)

⚠ CAUTION
If configured, **synchronizing cables** should be in parallel connection for synchronized strobes.

⚠ NOTE
For activation of synchronized strobes, please refer to chapter III. **Activation of synchronizing strobes.**

2.2. Wiring of synchronized strobes



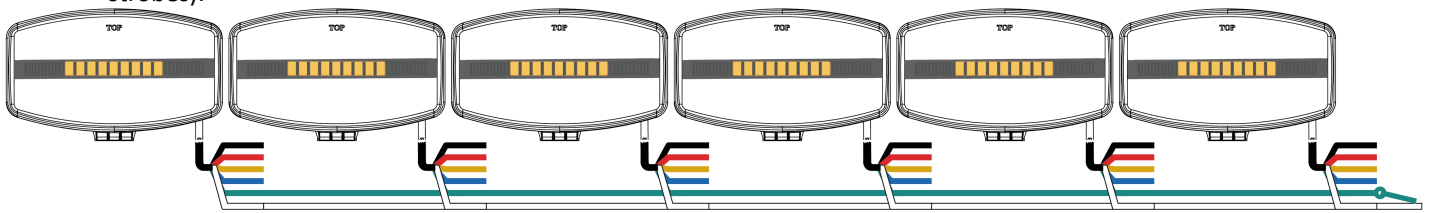
(Connection picture 1)

Max 6 strobes (lights) could be synchronized by parallel connection of white cables

III. Activation of synchronizing strobes.

3.1. Steps to activate synchronization of strobes when before their first operation

- A. White cables(synchronizing cable) of maximum 6 lights in parallel connection,
- B. Green cables(strobe) of maximum 6 lights in parallel connection.
- C. Power on strobe lights in parallel connection, and use white cable(max. 6 lights in parallel connection) end to contact green cable (also max. 6 lights in parallel connection) for 5~7 seconds [see **Connection picture 2**], then max. 6 strobes will be steady on (please be noted, here 6 strobes are in a state of steady on) for a short while, which means success in activation of synchronizing strobes(max 6 strobes).
- D. Disconnect white cable from green cable, and disconnect white cable (max 6 lights in parallel connection) from green cable, and synchronized strobes will go on.
- E. If synchronizing of strobes was not activated successfully, it was quite likely that cable connections were loose, please re-check the cable connections and repeat the steps above to activate synchronization of strobes(max 6 strobes).



(Connection picture 2)

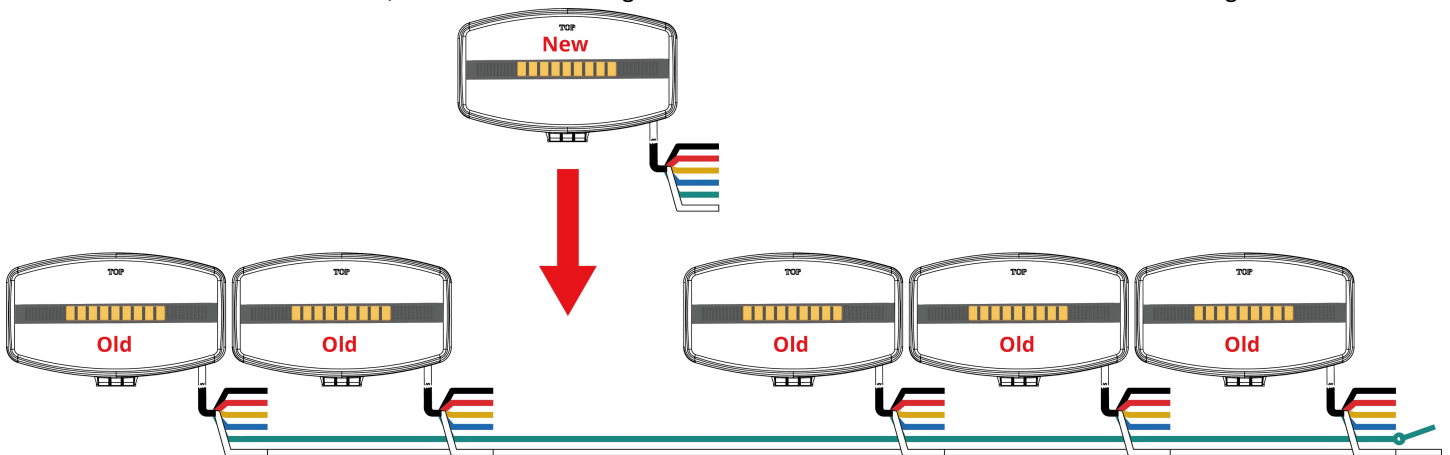
Use white cable (6 lights in parallel connection) end to contact green cable (also max. 6 lights in parallel connection) for 5~7 seconds

NOTE
After activation of synchronized strobes and white cable is disconnected from green cable, no extra activation is needed until new light has to be replaced.

NOTE
When replacing new light, do please make sure that the new light has the SAME firmware version of strobe with the old lights.

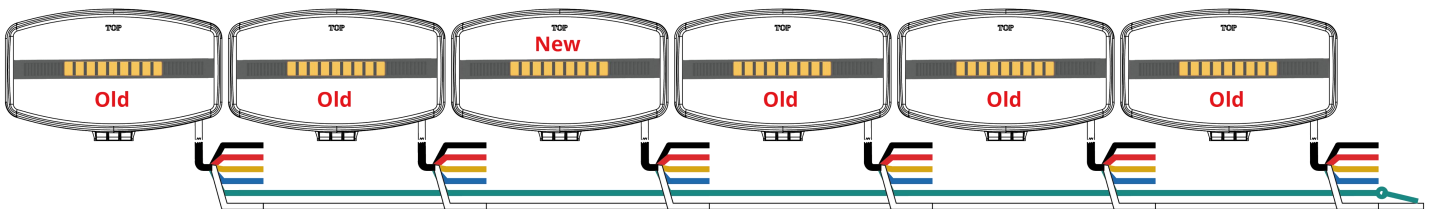
3.2. Activation of synchronizing strobes should be performed when new light is replaced.

- 3.2.1. Repeat steps in 3.1. to activate synchronizing strobes when new light has to be replaced.
- 3.2.2. Before the activation, do make sure new light has the same firmware version of strobe with old lights.



(Connection picture 3)

- when new light has to be replaced -



(Connection picture 4)

- repeat the steps in chapter 3.1. to activate synchronizing strobes when new light joins in the group -